

RoHS
Compliant

BOM				
ITEM	COMPONENT	MATERIAL	Q'TY	FINISHED
1	INNER CONDUCTOR	BE. COPPER	1	SILVER PLATED
2	OUTER CONDUCTOR	BRASS	1	TERNARY ALLOY PLATED
3	INSULATOR	TEFLON	1	NONE
4	TUBE	BRASS	1	TERNARY ALLOY PLATED
5	NUT	BRASS	1	TERNARY ALLOY PLATED
6	GASKET	SILICONE RUBBER	1	NONE
7	BODY	BRASS	1	TERNARY ALLOY PLATED

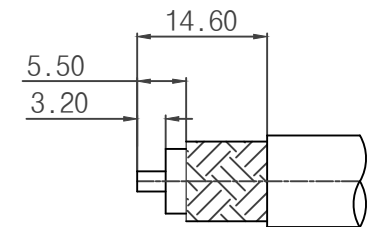
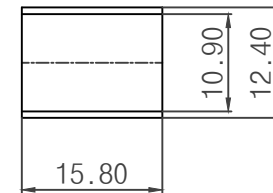
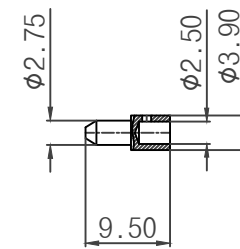
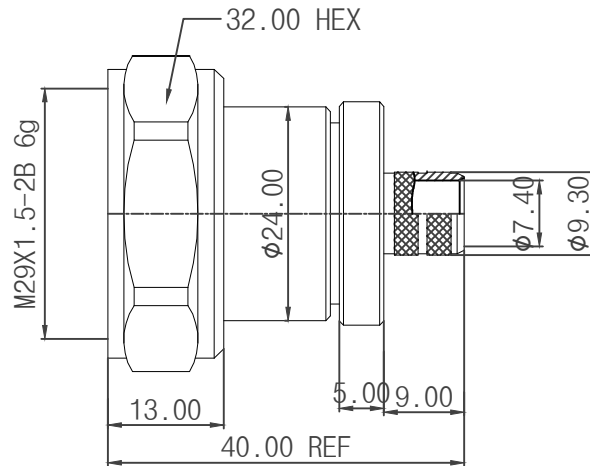
NOMINAL IMPEDANCE: 50
 FREQUENCY RANGE: DC-3GHz
 VSWR: < 1.10

NUT TORQUE: 25N.m
 (NUT) WHORL PULL: 1000N
 TENSILE FORCE (CABLE-CONNECTOR): 400N
 TORSION (CABLE-CONNECTOR): 2N.m

TEMP RANGE: -55° C TO +155° C

NOTES: FINISH (PLATING THICKNESS IN MICRO-INCHIES)

1. BRASS PER QQ-B-626
2. BERYLLIUM COPPER PER QQ-C-530
3. SILVER PLATED 5µM.
4. TERNARY ALLOY PLATED 2µM.



RECOMMENDED
CABLE STRIPPING DIM'S

ITEM	Description	Revision	Mender

REMARKS:	REV:	A1	TITLE:		
	DESIGNED:	WYP	7/16 CRIMP PLUG (FOR RG-8/U, 213/U, LMR 400 CABLE)		
	DRAWN:	WYP	ASSEMBLY DRAWING	SCALE:	FIT
	CHECKED:	XXXXX	DWG No: 1201-1A-C0113	SHEET SIZE:	A4
	APPROVAL:	XXXXX	DATE: 2016/03/09	UNITS:	mm
TOLERANCES:		3RD ANGLE			
DIM. X.X=±0.5		Super Yong (Guang Zhou) electronic Co.Ltd www.super-conn.com			
X.XX=±0.25					