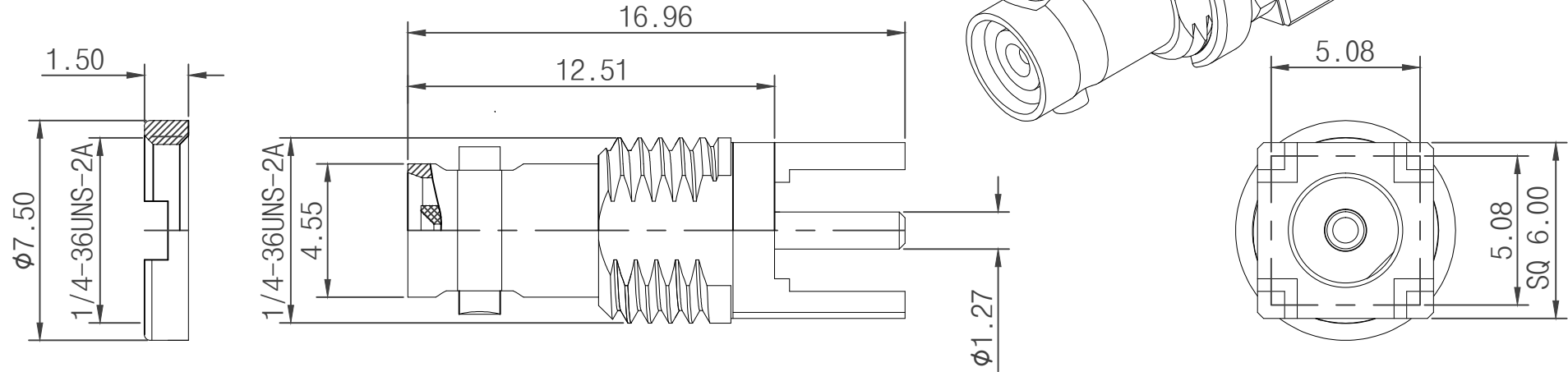
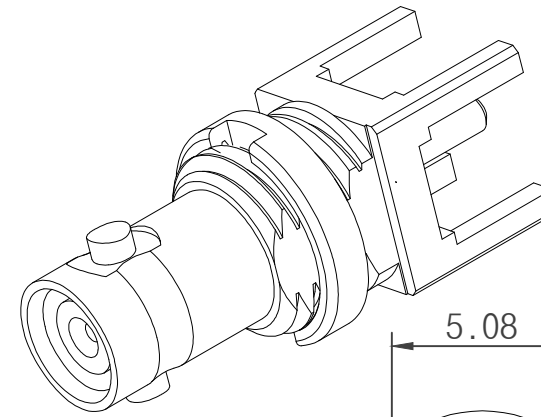


ITEM	DESCRIPTION	MATERIAL	Q'TY	FINISHED
1	BODY	BRASS	1	NICKEL PLATING
2	INSULATOR	TEFLON	1	NATURAL
3	CONTACT PIN	BE. COPPER	1	GOLD PLATING
4	HEX NUT	BRASS	1	NICKEL PLATING

RoHS
Compliant

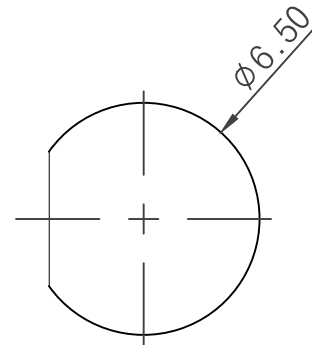


ELECTRICAL:

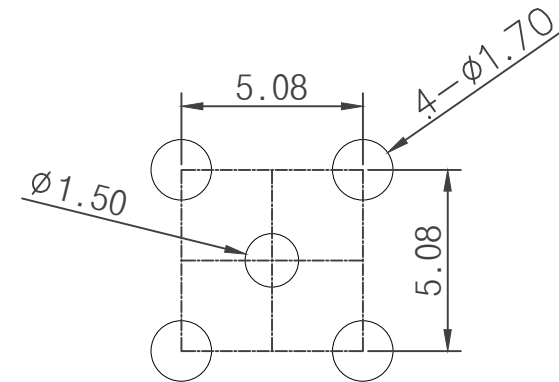
1. IMPEDANCE: 50 OHM
2. FREQUENCY RANGE: DC-6GHz
3. RETURN LOSS: 30dB min.@ 6 GHz

NOTES: FINISH (PLATING THICKNESS IN MICRO-INCHIES)

1. BRASS PER QQ-B-626
2. NICKEL PL.100 MIN. THICK OVER COPPER STRIKE
3. GOLD PL.3 MIN THICK OVER NICKEL PL.70 MIN. OVER COPPER STRIKE
4. TEFLON MIL-P-19468
5. BERYLLIUM COPPER PER QQ-C-530



RECOMMENDED
MOUNTING HOLE



RECOMMENDED
MOUNTING HOLE

RevNo	Description	Date	Revision	Mender
2				
1				
REVISIONS				

REMARKS:	REV:	A1	TITLE:			
	DESIGNED:	WYP	HD-BNC BHD FEMALE PCB THRU HOLE RECEPTACLE 4 LEGS			
	DRAWN:	WYP	ASSEMBLY DRAWING	SCALE:	FIT	
	CHECKED:	XXXXX	DWG No: 4503-2B-P07	SHEET SIZE:	A4	
	APPROVAL:	XXXXX	DATE:	2016/05/19	UNITS:	mm
TOLERANCES:		3RD ANGLE		Super Yong (Guang Zhou) electronic Co.Ltd		
DIM. X.X±0.5				www.super-conn.com		
X.XX±0.25						