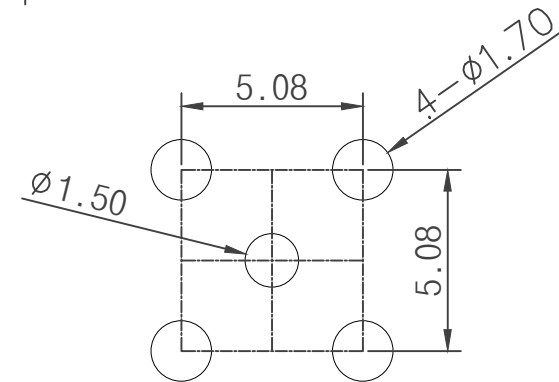
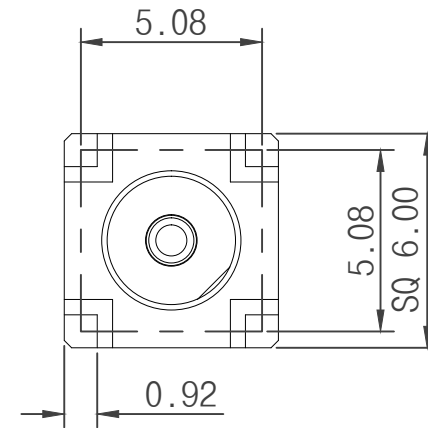
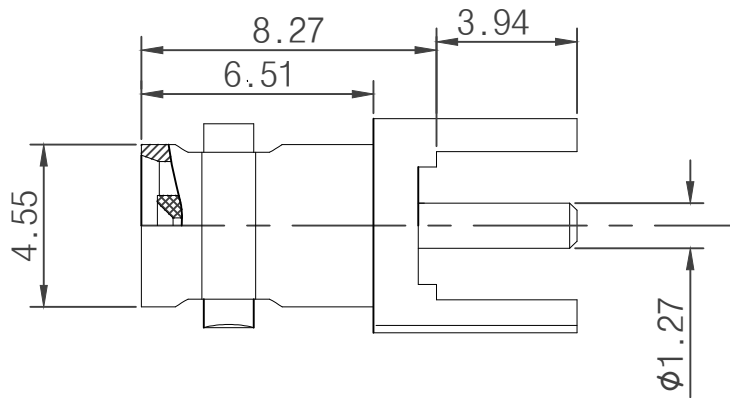


ITEM	DESCRIPTION	MATERIAL	Q'TY	FINISHED
1	BODY	BRASS	1	NICKEL PLATING
2	INSULATOR	TEFLON	1	NATURAL
3	CONTACT PIN	BE.COPPER	1	GOLD PLATING

RoHS
Compliant



RECOMMENDED
MOUNTING HOLE

ELECTRICAL:

1. IMPEDANCE: 50 OHM
2. FREQUENCY RANGE: DC-6GHz
3. RETURN LOSS: 30dB min.@ 6 GHz

NOTES: FINISH (PLATING THICKNESS IN MICRO-INCHIES)

1. BRASS PER QQ-B-626
2. NICKEL PL.100 MIN. THICK OVER COPPER STRIKE
3. GOLD PL.3 MIN THICK OVER NICKEL PL.70 MIN. OVER COPPER STRIKE
4. TEFLON MIL-P-19468
5. BERYLLIUM COPPER PER QQ-C-530

REMARKS:	REV:	A1	TITLE:		
	DESIGNED:	WYP	HD-BNC STRAIGHT FEMALE PCB THROUGH HOLE RECEPTACLE 4 LEGS		
	DRAWN:	WYP	ASSEMBLY DRAWING	SCALE:	FIT
	CHECKED:	XXXXX	DWG No: 4504-2B-P01	SHEET SIZE:	A4
	APPROVAL:	XXXXX	DATE: 2016/05/19	UNITS:	mm
TOLERANCES:		3RD ANGLE			
DIM. X.XX=±0.5		Super Yong (Guang Zhou) electronic Co.Ltd www.super-conn.com			
X.XX=±0.25					

RevNo	Description	Date	Revision	Mender
2				
1				
REVISIONS				